

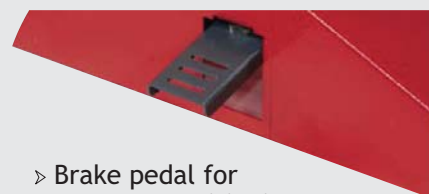
bal.co.za *wheel balancer*

bal.co.za 255

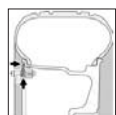
- › A computerized digital wheel balancer with a single, fully automatic cycle
- › Easily access to the different programs using the various function keys



- › Simultaneous weight and position readings on the double display
- › Self-diagnosis and calibration ensure exceptional accuracy and easy maintenance



- › Brake pedal for accurate positioning of counterweights



- › Hidden spoke program that hides adhesive weights behind the rim spokes, optimizing the quality/aesthetic ratio
- › 5 Alu programs for dynamic balancing with adhesive weights
- › 3 Static balancing programs (with spring or adhesive weights)
- › 2 Special Alu programs for Pax tyres with measurements in mm

- › Aludata program that resolves all the problems of balancing aluminium rims
- › The arm in the central part of the weight holder panel indicates the exact position for application of adhesive weights



standard



› Flange complete with cones



› 100g sample weight - pliers
PN: 100152



› Gauge
PN: 300104

optional



› 4th cone
PN: 300107
5th cone
PN: 300117
Spacer
PN: 300146

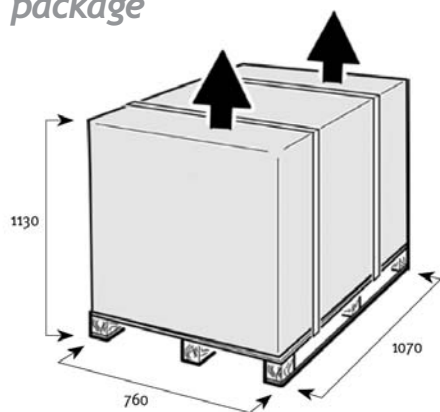


› Motorcycle flange
PN: 300106

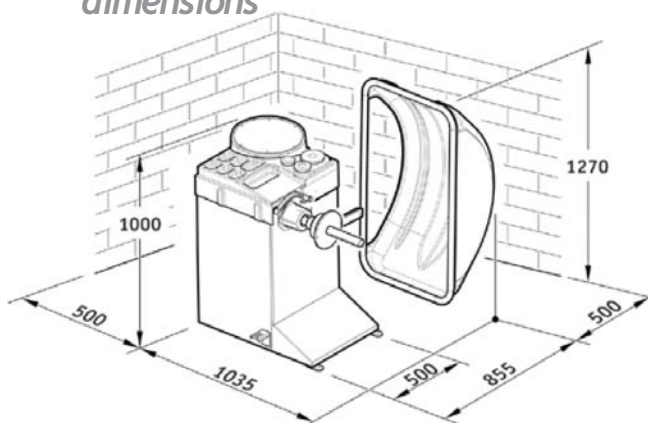


› 3-4-5 hole flange
PN: 300116

package



dimensions



technical data

bal.co.za	Weight with casing	single phase	Balancing speed (r.p.m.)	Wheel max weight	Wheel max diameter	Rim width	Rim diameter
255	90 Kg	230V 1PH 50Hz 230V 1PH 60Hz 115V 1PH 60Hz	167 rpm at 50 Hz; 200 rpm at 60 Hz	70 Kg	1120mm (44")	2"±20"	8"±30"

Snap-on
Equipment
OFFICIAL SUPPLIER

National Customer Services Center:

Tel: 0861 SNAPON (762766) | Fax: 0861 762767 | E-mail: equipment@snapon.co.za
National Sales Director: Cell: 082 551 5388