



Visualiner CCD Wheel Aligners



asanetwork



Visualiner CCD wheel aligners - A powerful value

Alignment can be a great source of revenue for any automotive repair shop where speed and accuracy of the equipment are absolute key factors. John Bean, a brand favourite of garages and car manufacturers around the world, has long been known for speed and accuracy and advancements in wheel alignment technology.

In less than 10 minutes the John Bean CCD aligner provides highly accurate measurement of alignment data, complete with visual representation identifying current and optimum settings. Our alignment systems allow any technician to become an alignment expert with minimal training. A computerised interface features clear and simple graphics to guide the user through the required program steps, both for measurement and adjustment.

For modern cars, wheel alignment has become more and more important for the maintenance of the vehicle as it provides ride comfort, prevents abnormal tyre wear and improves fuel economy. Providing automotive repair shops with high quality wheel alignment requires alignment systems with higher profitability and greater throughput.

John Bean is a division of Snap-on Equipment and has a long experience in developing wheel aligners. The wide-spread European service network and our professional training centre guarantee technical know-how from the first training to hot line help.

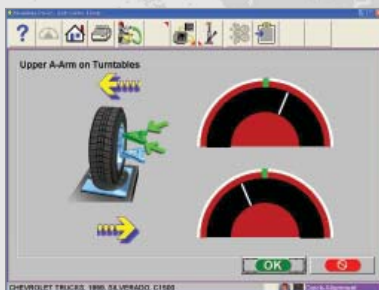


OEM wizards

Visualiner 901 provides measurements, procedures and adjustments specified by OEMs world-wide, ensuring the vehicle is maintained to exact original specifications.

EZ-Toe®

EZ-Toe® provides a method of quickly adjusting the front toe. It allows the front wheels to be turned to access difficult adjustment points. This feature eliminates redundant steps when adjusting front toe.

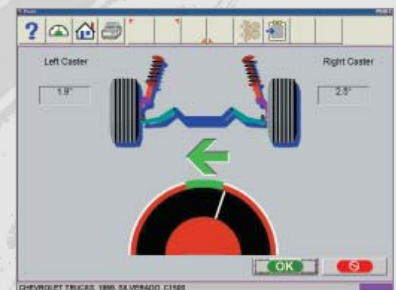


A-arm adjustment

Achieve precise setting of difficult A-arm adjustment, without the use of manual calculations or approximation.

Cradle adjustment

Cradle adjustment automatically guides the technician through steps to centre the sub-frame, greatly simplifying adjustment to these vehicles.



Rugged reliable CCD wheel units



Build of toughest structural foam material, John Bean wheel units are engineered for maximum durability and reliability.

With an extraordinarily wide range capacity of $\pm 30^\circ$ the CCD toe sensors measure toe-out on turns without expensive electronic turntables. Sensor resolution of 0.01° is extremely accurate.

Other features such as the robust shaft/bearing design, electronic level, and automatic calibration check (8-sensor models only) combine to make the CCD wheel unit one of the most professional on today's market.

Cordless models

The cordless models feature the proven 2.4 GHz Digital Spread Spectrum (DSS) radio technology. This reliable interchangeable battery system allows you to change batteries without loss of alignment data. The low-power electronics gets 7 hours of continuous use from the batteries in a single charge. A standard stand-alone charger and second set of batteries ensure 24 hours of uninterrupted availability.



EZ-Access®



The Visualiner 901 allows alignment with wheels demounted. This is ideal for quick and easy instalment of accessories s as well as OEM adjustments.



Räder abnehmen



Radklammern montieren.

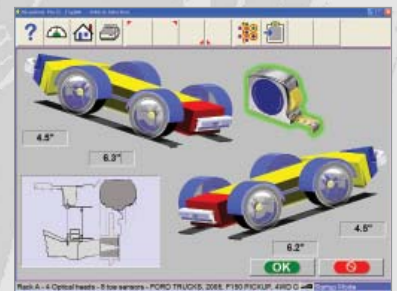
OK

OK drücken.



Ride height measurement

Some OEMs require ride height measurement in order to calculate proper alignment specs for that specific vehicle. Visualiner 901 is equipped to measure ride height quickly and conveniently.



Animated adjustment aid

Technicians benefit from on-screen visual aids for vehicle-specific adjustments, including instructions and comments for instance about necessary tools and spare parts.





Visualiner CCD Wheel Aligners

Pro 32 software: Quick and user-friendly

User requirements were the most important aspect when developing the Windows-based Pro 32 software. The result is a versatile, user-friendly software with graphical user interface which guides the user logically and understandably through the entire alignment procedure.

Complete vehicle specs and vehicle-related information assists the user even when handling less conventional vehicle types. The specs of more than 25,000 car models of the past 25 years are all at user's disposal and up-dates issued three times a year always keep you informed of latest news.

The user interface of the PC offers easy-to-understand graphics guiding the user step by step through measurement and adjustment.

On-line help and information are most useful for difficult adjustments. None the less only a few training lectures are enough for the user to properly handle the aligner.

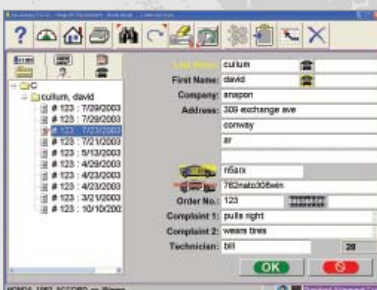
If desired every single screen can be printed to hand it out to customer and explain measured results – an important contribution to customer satisfaction.

Moreover the Pro 32 software is a network compatible. Consequently the Visualiner can be easily integrated into your local network.



Pro 32 Windows software®

Clear and simple icons guide the user quickly to the desired program step, for both measurement and adjustment, and help to minimise the risk of mistakes.



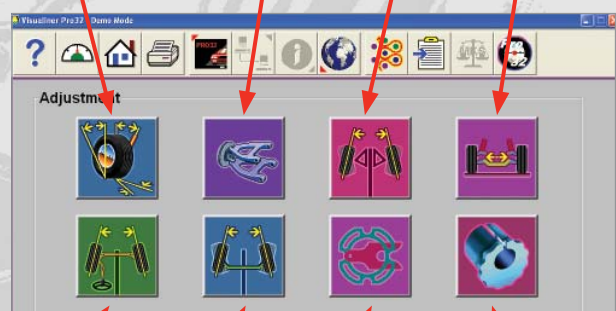
Customer database

Search by customer or vehicle data is possible to access previous customer and vehicle information.

Diagnostic selection menu

Open the advanced diagnostic menu with a simple key stroke and each procedure walks you through diagnosis and adjustment step by step.

Elevated
caster & camber A-arm adjust EZ-Toe® Live cradle adjust



Drag link Single tie rod Shims & kits Ford bushing program

Visualiner CCD Wheel Aligners



Visualiner 301

A 6-sensor CCD wheel aligner with 17" TFT flat screen, standard software and small cabinet the Visualiner 301 is an excellent choice for workshops handling alignments less frequently.



Visualiner 501

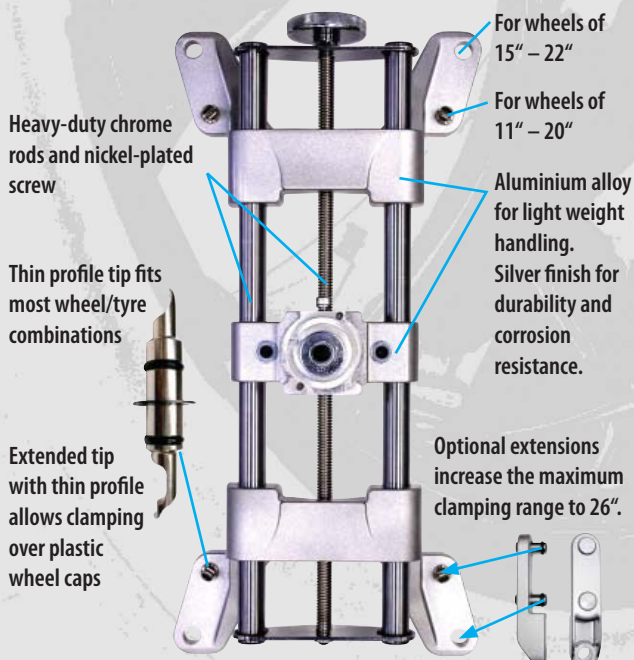
The Visualiner 501 is an 8-sensor CCD wheel aligner with 17" TFT flat screen, advanced software and small cabinet and is, therefore, particularly suited for professional standard alignments. The user-friendly software supports quick and error-free measurement and adjustment.



Visualiner 901

Featuring 8-sensor CCD technology, 17" TFT flat screen, premium software and OEM wizards the Visualiner is the ideal top-of-the-line CCD wheel aligner for professional use and high alignment quality. It combines innovative technology with ergonomic design and excellent user-friendliness.

Wheel clamps



Tyre clamps (option)

Allows accurate clamping without risk of scratching the wheel finish. Tyre clamps provide secure attachment to wheel while plastic sleeves (incl. 3 different sets for alloy rims) placed over standard claws ensure proper placement and wheel protection.



Spoiler adaptor

Equipped for 4 adjustment levels for spoiler cars and low-suspension vehicles.





CCD wheel aligners of the Visualiner series

FEATURES

	301 501 901		301 501 901		301 501 901
General features		Multiple print formats	• • •	Camber at zero toe	• •
Windows® operating system	• • •	Multiple units of measure	• • •	Live vehicle dimensions	• •
Vehicle specs 25+ years	• • •	Multiple alignment wizards (incl. custom)	• •	Toe curve change	• •
Custom vehicle specs	• • •	OEM wizards	• •	Steering asymmetry with diagnostics	•
Regional specs	• • •	Inspections & reports	• •	Ride height modified vehicle specs	• • •
Self-diagnostics	• • •	Custom inspections	• •		
Back-up/restore of calibration & set-up data	• • •	Driver complaint diagnostics	• •	Adjustments	
		Multiple lift support (3 total)	• •	Live caster, camber & toe – turntables	• • •
		VoiceAlign® (option)	• •	Live caster, camber & toe – elevated	• • •
		Shop management interface	• •	Camber & toe – turntables (frozen caster)	• • •
User-friendliness				Camber & toe – elevated (frozen caster)	• • •
Integrated help system	• • •	Measurements		A-arm adjustment	• • •
3D animations	• • •	Caster & SAI on turntables	• • •	EZ TOE®	• • •
Tools, parts and adjustment instructions	• • •	SAI elevated	• • •	Cradle adjustment	• •
Advanced customer database	• • •	Toe-out on turns	• • •	Single tie rod	• •
Customer database back-up/restore	• • •	Max. steering angle	• • •	EZ-Access®	• •
Customer database import/export/sharing	•	Romess inclinometer support (DC)	• • •		

TECHNICAL DATA

PC controlled alignment system

- 17" TFT flat screen
- Mobile cabinet
- State-of-the-art PC with:
 - Keyboard and mouse
 - Windows®
 - Network interface
 - asanetwork compatible
- Colour printer

Standard equipment

- Universal wheel clamps 11" – 22"
- Steering wheel holder
- Brake pedal depressor
- Remote controller
- 2 Spoiler adaptors

Options

- 26" Universal wheel clamp extensions 30926
- Tyre clamps 4029276
- VoiceAlign® 4027839
- Hub adaptor kit 29215
- Spoiler adaptor 4029173

Equipment specs

- Wheel size 11" – 22"
- Track width 1200 – 2500 mm
- Wheelbase 1200 – 5000 mm

Power supply

230 V 1ph 50/60 Hz 6/3 A

Snap-on® Equipment

France: Snap-on Equipment France
ZA du Vert Galant · 15, rue de la Guivernone BP97175, ST Ouen L'Aumone · 95056 Cergy Pontoise Cedex
Phone: +33 (0) 134/48 58-78 · Fax: +33 (0) 134/48 58-70 · www.snapon-equipment.fr

Germany: Snap-on Equipment GmbH – Undercar · Werner-von-Siemens-Str. 2 · 64319 Pfungstadt
Phone: +49 (0) 6157/12-0 · Fax: +49 (0) 6157/12-286 · www.snapon-equipment.de

Italy: Snap-on Equipment s.r.l. · Via Prov. Carpi, 33 · 42015 Correggio (RE)
Phone: +39 0522/733-411 · Fax: +39 0522/733-410

United Kingdom: Snap-on Equipment Ltd. · 48 Sutton Park Avenue · Reading RG6 1AZ
Phone: +44 (0) 118/929-6811 · Fax: +44 (0) 118/966-4369 · www.johnbean.co.uk

EMEA-JA: Snap-on Equipment s.r.l. · Via Prov. Carpi, 33 · 42015 Correggio (RE)
Phone: +39 0522/733-483 · Fax: +39 0522/733-479 · www.snapon-equipment.eu